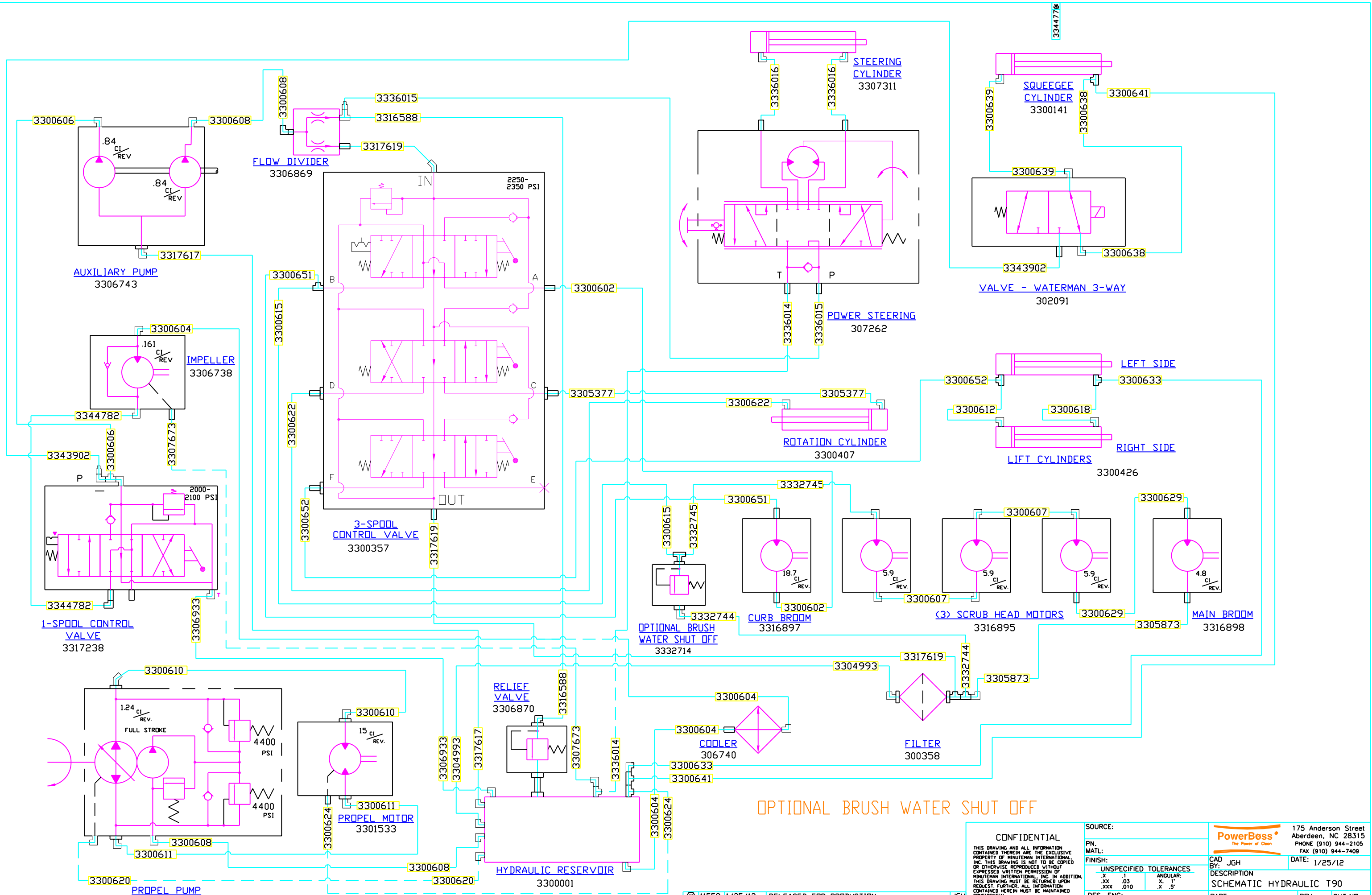


OPTIONAL BRUSH WATER SHUT OFF

CONFIDENTIAL <small>THIS DRAWING AND ALL INFORMATION CONTAINED THEREIN ARE THE EXCLUSIVE PROPERTY OF HINTERMAN INTERNATIONAL, INC. THIS DRAWING IS NOT TO BE COPIED OR OTHERWISE REPRODUCED WITHOUT EXPRESSED WRITTEN PERMISSION OF HINTERMAN INTERNATIONAL, INC. IN ADDITION, THIS DRAWING MUST BE RETURNED UPON REQUEST. FURTHER, ALL INFORMATION CONTAINED HEREIN MUST BE MAINTAINED CONFIDENTIAL.</small>		SOURCE: PN: MATL: FINISH: UN-SPECIFIED TOLERANCES .X .1 ANGULAR: .XX .03 X .1 .XXX .010 X .5	PowerBoss <small>The Power of Clean</small> 175 Anderson Street Aberdeen, NC 28315 PHONE (910) 944-2105 FAX (910) 944-7409
11559 1/25/12 REV ECN # DATE	RELEASED FOR PRODUCTION DESCRIPTION OF CHANGE-IS (WAS)	CAD BY: JGH DATE: 1/25/12 DESCRIPTION: SCHEMATIC HYDRAULIC T90	PART NO. 3344776 REV LEV * SHT NO. 1 of 7

11559 1/25/12 RELEASED FOR PRODUCTION JGH
 REV ECN # DATE DESCRIPTION OF CHANGE-IS (WAS) BY:

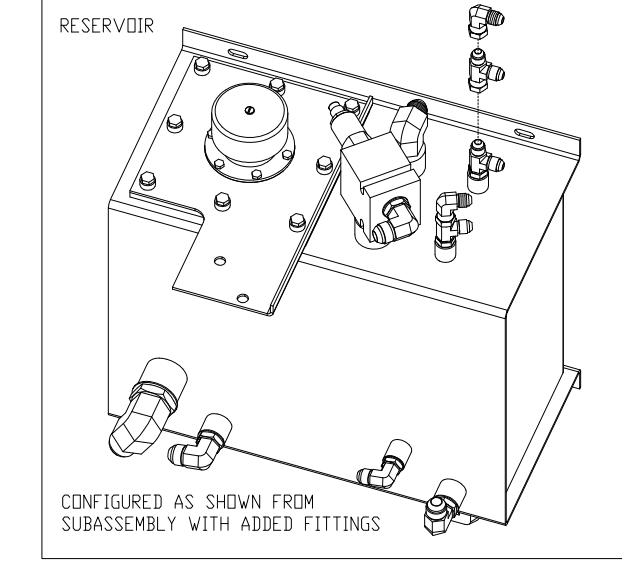
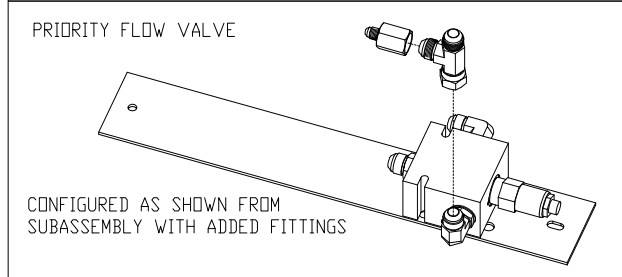
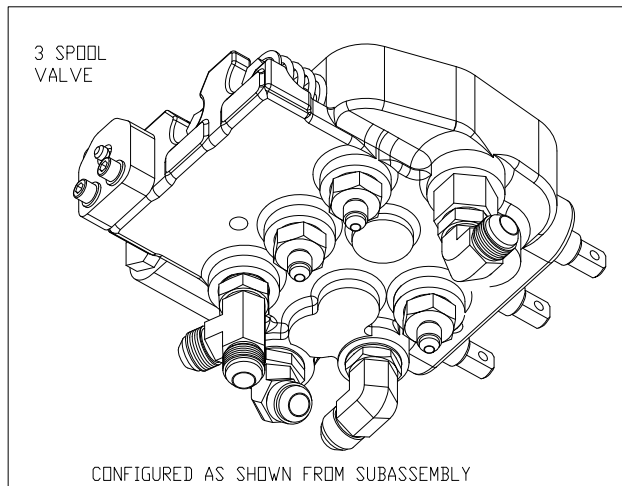
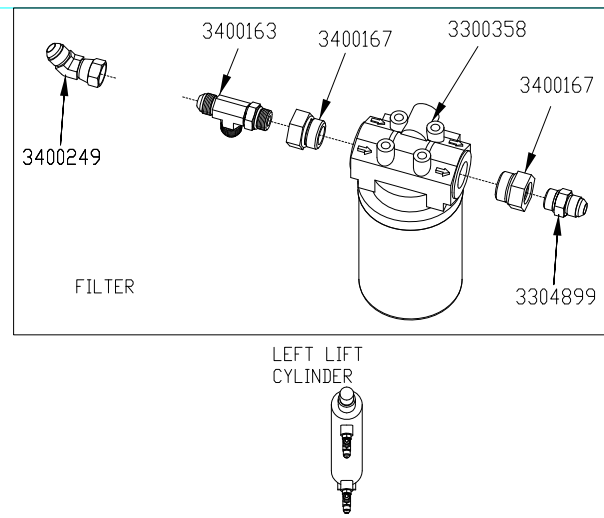
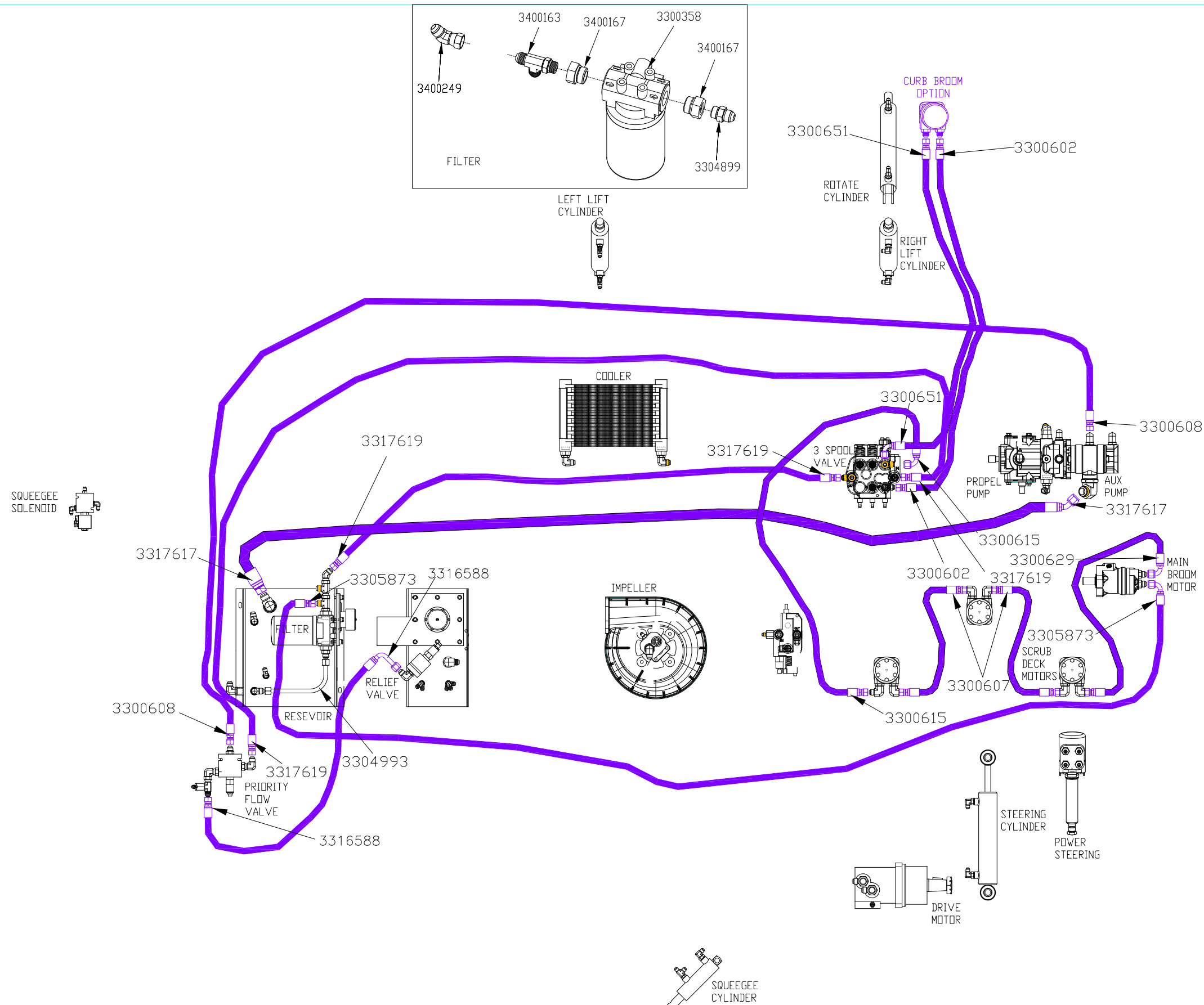


OPTIONAL BRUSH WATER SHUT OFF

CONFIDENTIAL THIS DRAWING AND ALL INFORMATION CONTAINED HEREIN ARE THE EXCLUSIVE PROPERTY OF MINUTEMAN INTERNATIONAL, INC. THIS DRAWING IS NOT TO BE COPIED OR OTHERWISE REPRODUCED WITHOUT EXPRESSED WRITTEN PERMISSION OF MINUTEMAN INTERNATIONAL, INC. IN ADDITION, THIS DRAWING MUST BE RETURNED UPON REQUEST. FURTHER, ALL INFORMATION CONTAINED HEREIN MUST BE MAINTAINED CONFIDENTIAL.		SOURCE:	175 Anderson Street Aberdeen, NC 28315 PHONE (910) 944-2105 FAX (910) 944-7409
PN:	3344776	CAD BY:	JGH
MATL:		DATE:	1/25/12
FINISH:	UNSPECIFIED TOLERANCES	DESCRIPTION:	SCHMATIC HYDRAULIC T90
	.X .1 ANGULAR: .XX .03 X .1" .XXX .010 X .5"	PART NO.:	3344776
DES. ENG.:	JGH	REV. NO.:	1
ENG. REL.:		SHT NO.:	2 of 7

© 11559 1/25/12	RELEASED FOR PRODUCTION	JGH
REV ECN #	DESCRIPTION OF CHANGE-IS (WAS)	BY:

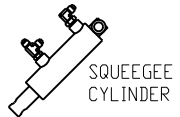
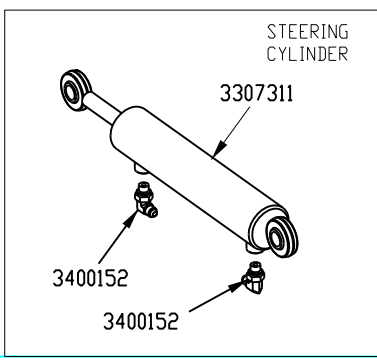
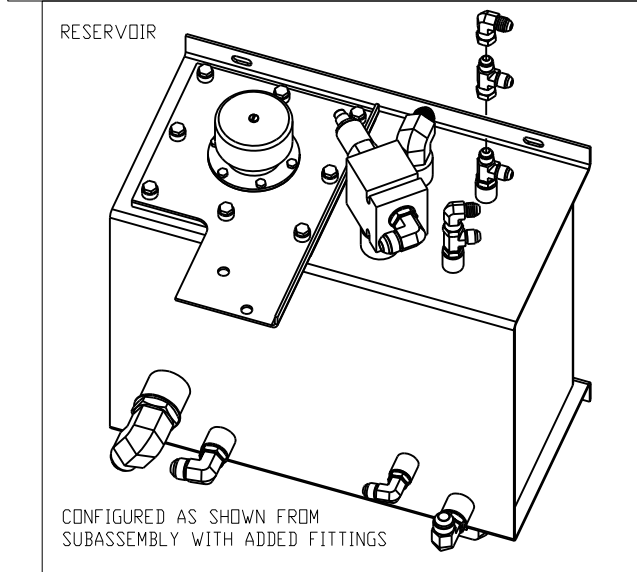
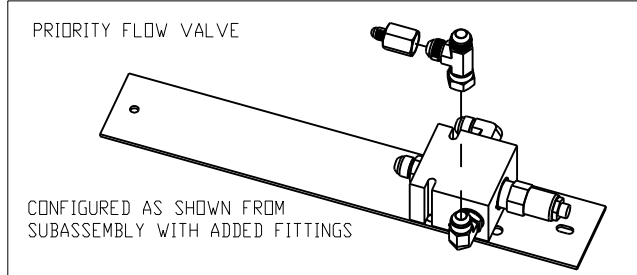
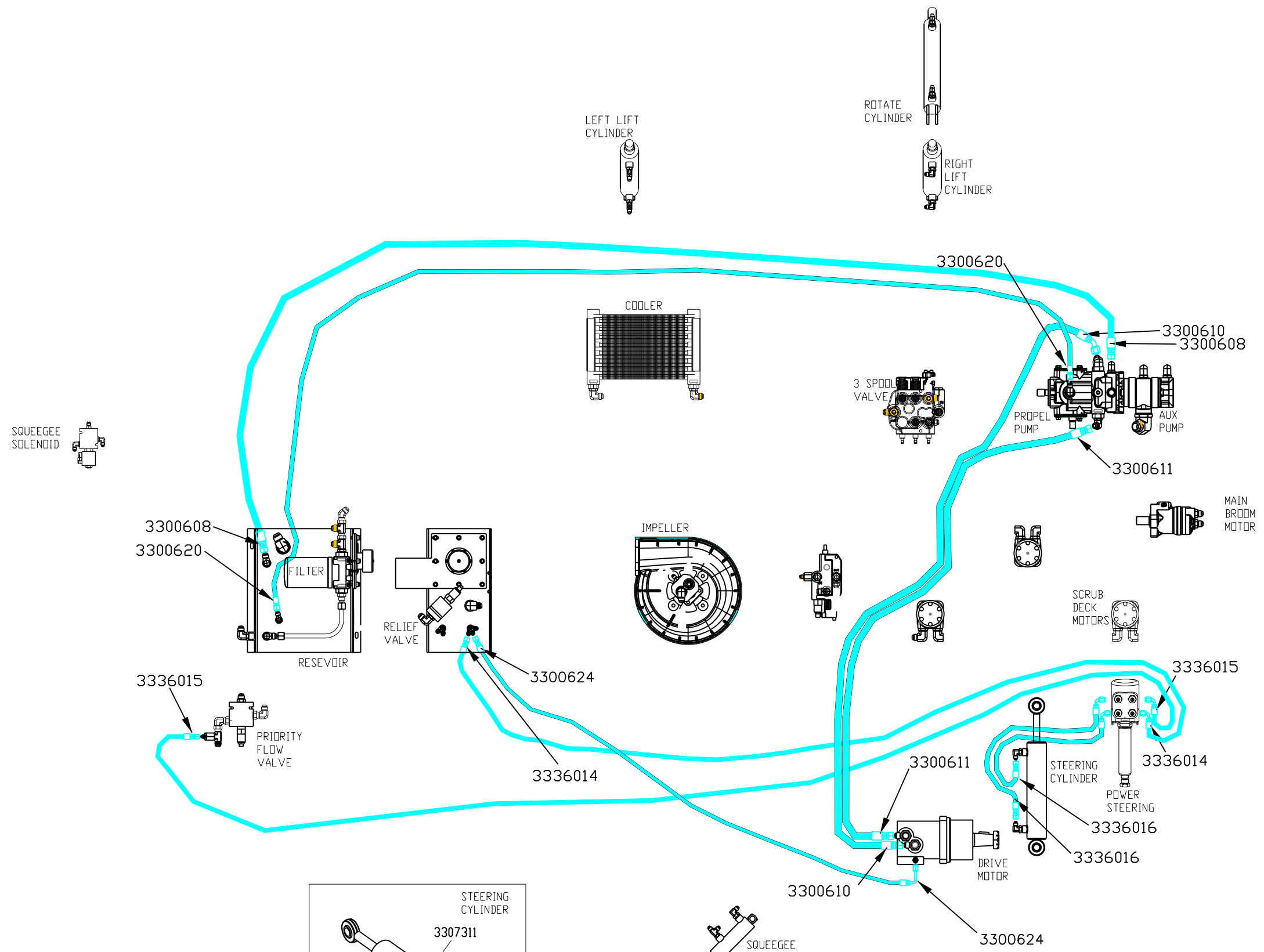
3344776



BROOM AND SCRUB FUNCTIONS

11559	1/25/12	RELEASED FOR PRODUCTION	JGH
REV	ECN #	DATE	DESCRIPTION OF CHANGE-IS (WAS)

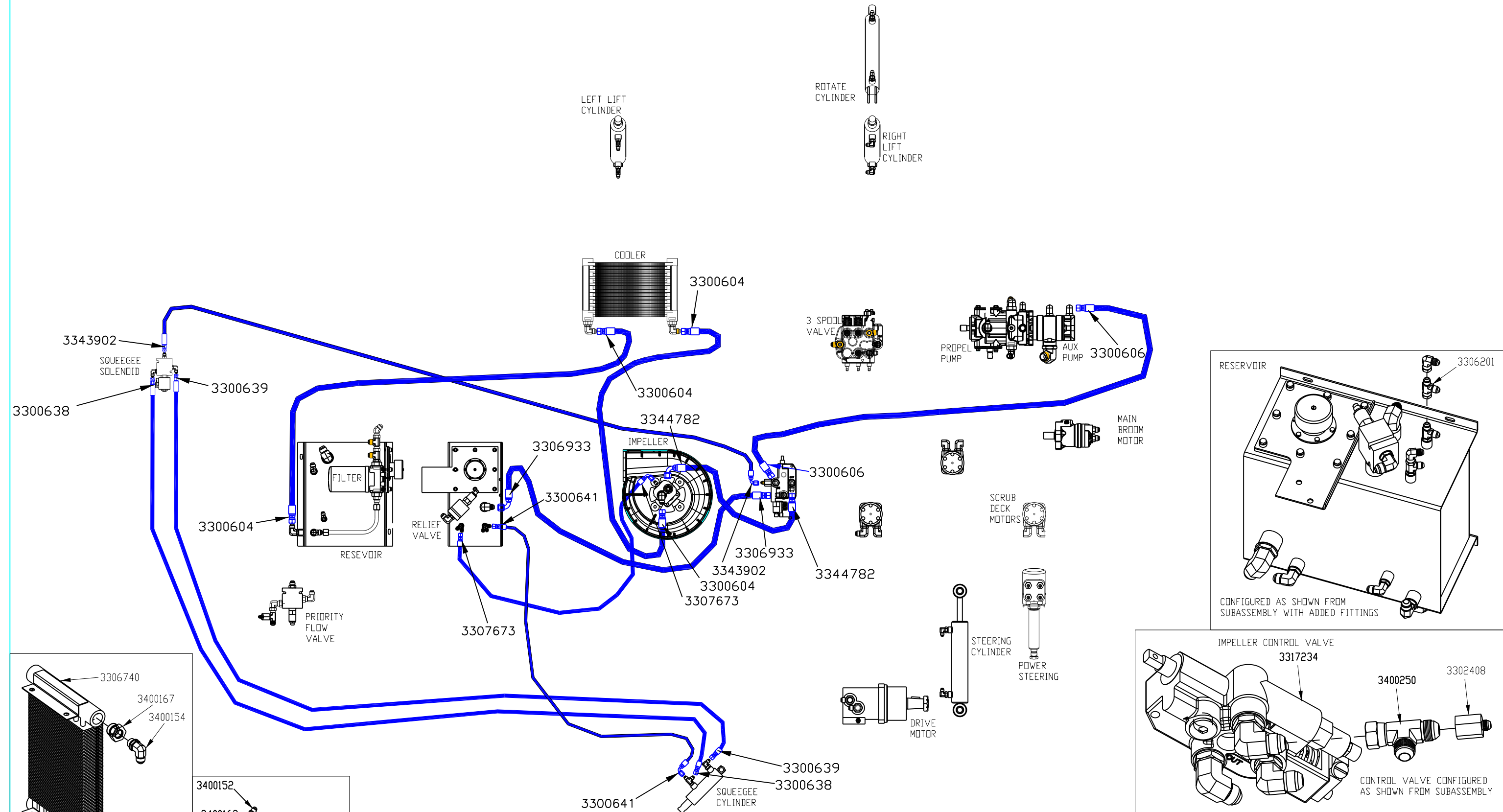
CONFIDENTIAL		SOURCE:		175 Anderson Street Aberdeen, NC 28315	
THIS DRAWING AND ALL INFORMATION CONTAINED HEREIN ARE THE EXCLUSIVE PROPERTY OF MINUTEMAN INTERNATIONAL, INC. THIS DRAWING IS NOT TO BE COPIED OR OTHERWISE REPRODUCED WITHOUT EXPRESSED WRITTEN PERMISSION OF MINUTEMAN INTERNATIONAL, INC. IN ADDITION, THIS DRAWING MUST BE RETURNED UPON REQUEST. FURTHER, ALL INFORMATION CONTAINED HEREIN MUST BE MAINTAINED CONFIDENTIAL.		PN. MATL:		PHONE (910) 944-2105	
		FINISH:		FAX (910) 944-7409	
		UNSPECIFIED TOLERANCES		DATE: 1/25/12	
		.X .1 ANGULAR:		CAD JGH	
		.XX .03 X .1		BY:	
		.XXX .010 X .5		DESCRIPTION	
DES. ENG:		PART NO. 3344776		SCHEMATIC HYDRAULIC T90	
ENG. REL:		REV * 3		SHT NO. 3 of 7	



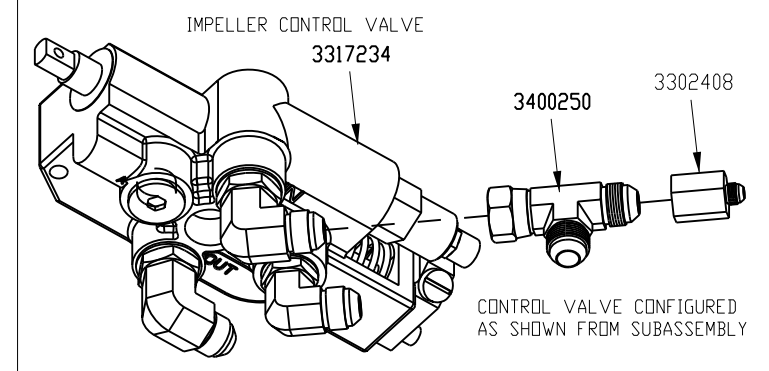
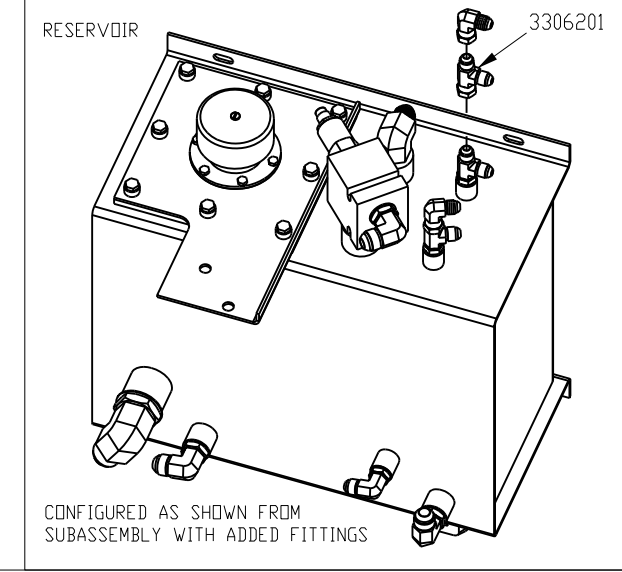
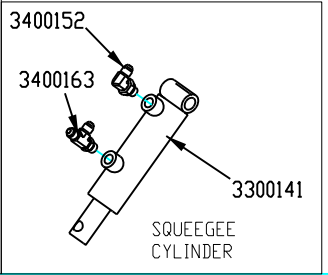
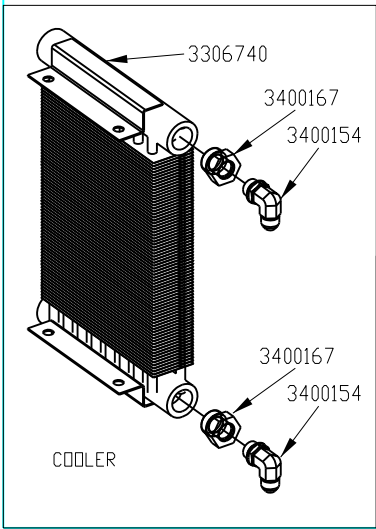
DRIVE AND STEERING FUNCTIONS

CONFIDENTIAL		SOURCE:		175 Anderson Street Aberdeen, NC 28315 PHONE (910) 944-2105 FAX (910) 944-7409	
THIS DRAWING AND ALL INFORMATION CONTAINED THEREIN ARE THE EXCLUSIVE PROPERTY OF MINUTEMAN INTERNATIONAL, INC. THIS DRAWING IS NOT TO BE COPIED OR OTHERWISE REPRODUCED WITHOUT EXPRESSED WRITTEN PERMISSION OF MINUTEMAN INTERNATIONAL, INC. IN ADDITION, THIS DRAWING MUST BE RETURNED UPON REQUEST. FURTHER, ALL INFORMATION CONTAINED HEREIN MUST BE MAINTAINED CONFIDENTIAL.		PN:	FINISH:	CAD BY: JGH	DATE: 1/25/12
UNspecified TOLERANCES: .X .1 ANGULAR: .XX .03 X .1 .XXX .010 X .5		DESCRIPTION:		SCHEMATIC HYDRAULIC T90	
DES. ENG:	ENG. REL:	PART NO. 3344776	REV * 4	LEV * 4	SHT NO. 7

11559	1/25/12	RELEASED FOR PRODUCTION	JGH
REV ECN #	DATE	DESCRIPTION OF CHANGE-IS (WAS)	BY:



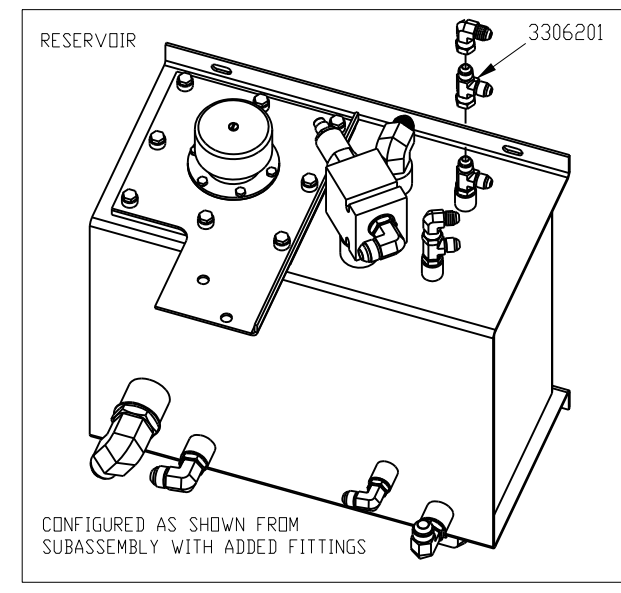
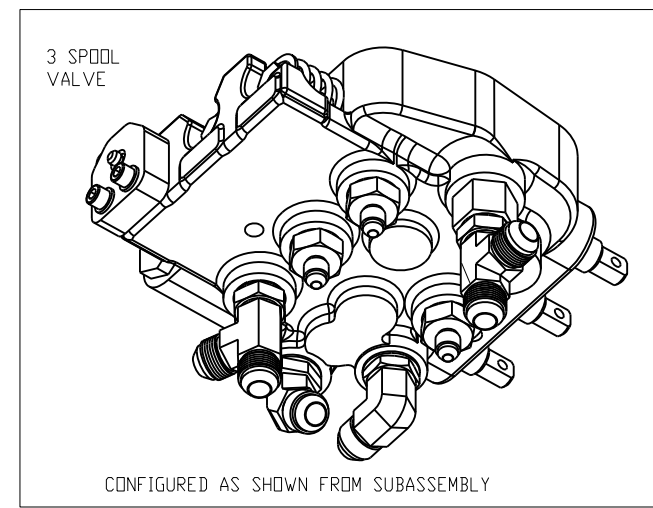
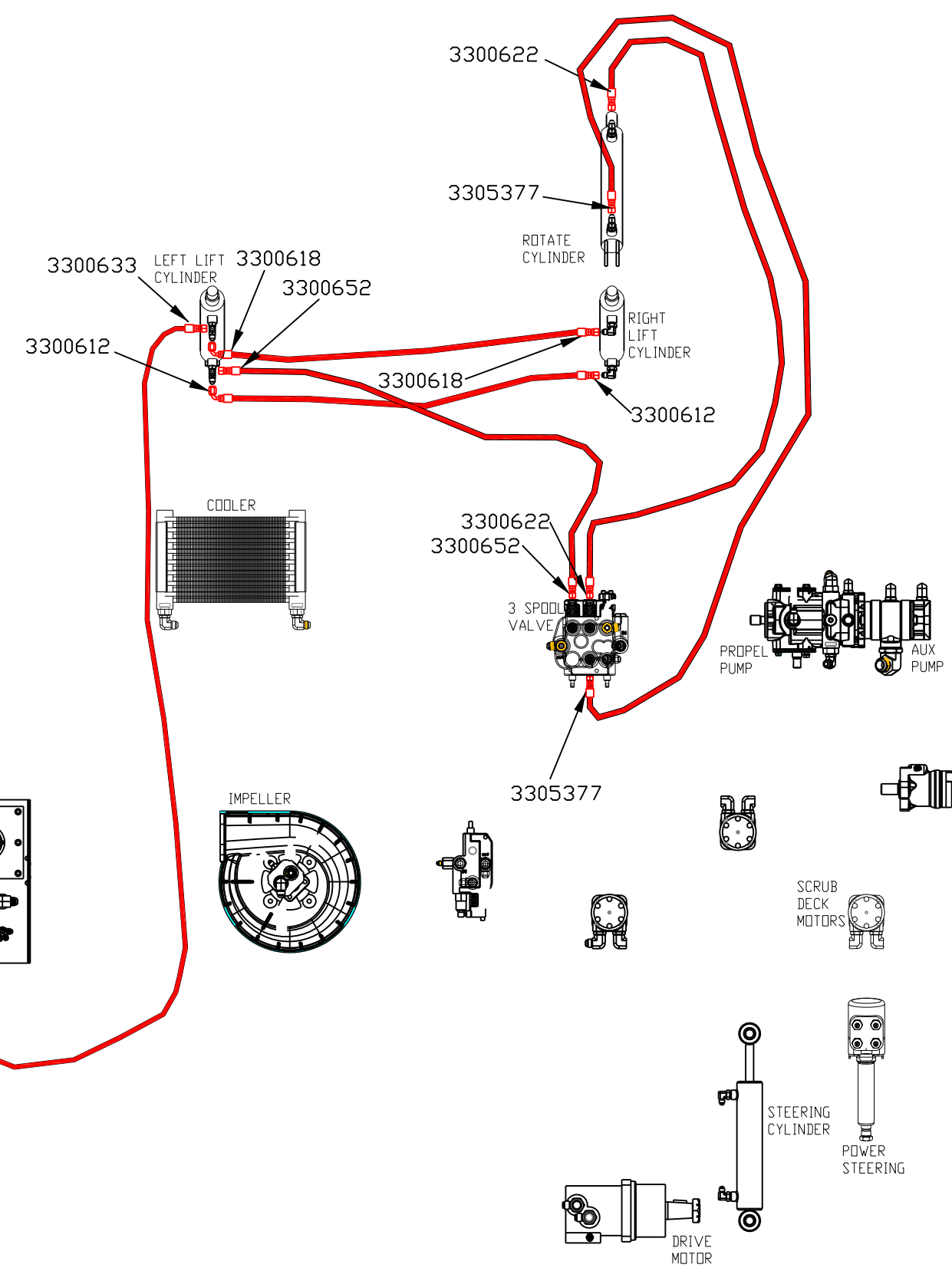
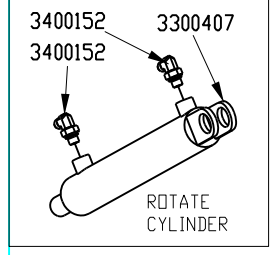
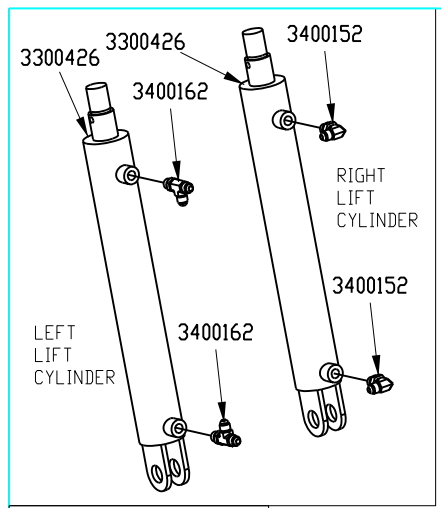
IMPELLER AND SQUEEGEE FUNCTIONS



<p>CONFIDENTIAL</p> <p>THIS DRAWING AND ALL INFORMATION CONTAINED THEREIN ARE THE EXCLUSIVE PROPERTY OF HILTI/HEIMAN INTERNATIONAL, INC. THIS DRAWING IS NOT TO BE COPIED OR OTHERWISE REPRODUCED WITHOUT EXPRESSED WRITTEN PERMISSION OF HILTI/HEIMAN INTERNATIONAL, INC. IN ADDITION, THIS DRAWING MUST BE RETURNED UPON REQUEST. FURTHER, ALL INFORMATION CONTAINED HEREIN MUST BE MAINTAINED CONFIDENTIAL.</p>		<p>SOURCE:</p> <p>PN:</p> <p>MATL:</p> <p>FINISH:</p> <p>UNSPECIFIED TOLERANCES:</p> <p>DES. ENG:</p> <p>ENG. REL:</p>	<p>175 Anderson Street Aberdeen, NC 28315 PHONE (910) 944-2105 FAX (910) 944-7409</p> <p>CAD BY: JGH</p> <p>DATE: 1/25/12</p> <p>DESCRIPTION: SCHEMATIC HYDRAULIC T90</p> <p>PART NO. 3344776</p> <p>REV * LEV</p> <p>SHT NO. 5 of 7</p>
---	--	--	--

11559	1/25/12	RELEASED FOR PRODUCTION	JGH
REV	ECN #	DATE	BY:
		DESCRIPTION OF CHANGE-IS (WAS)	

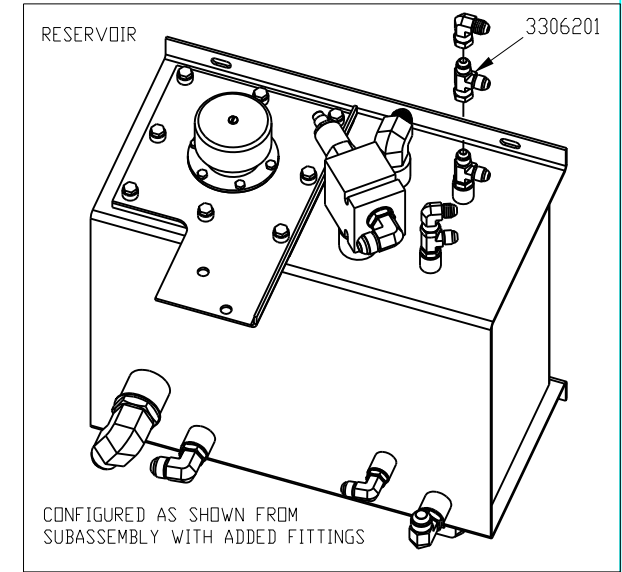
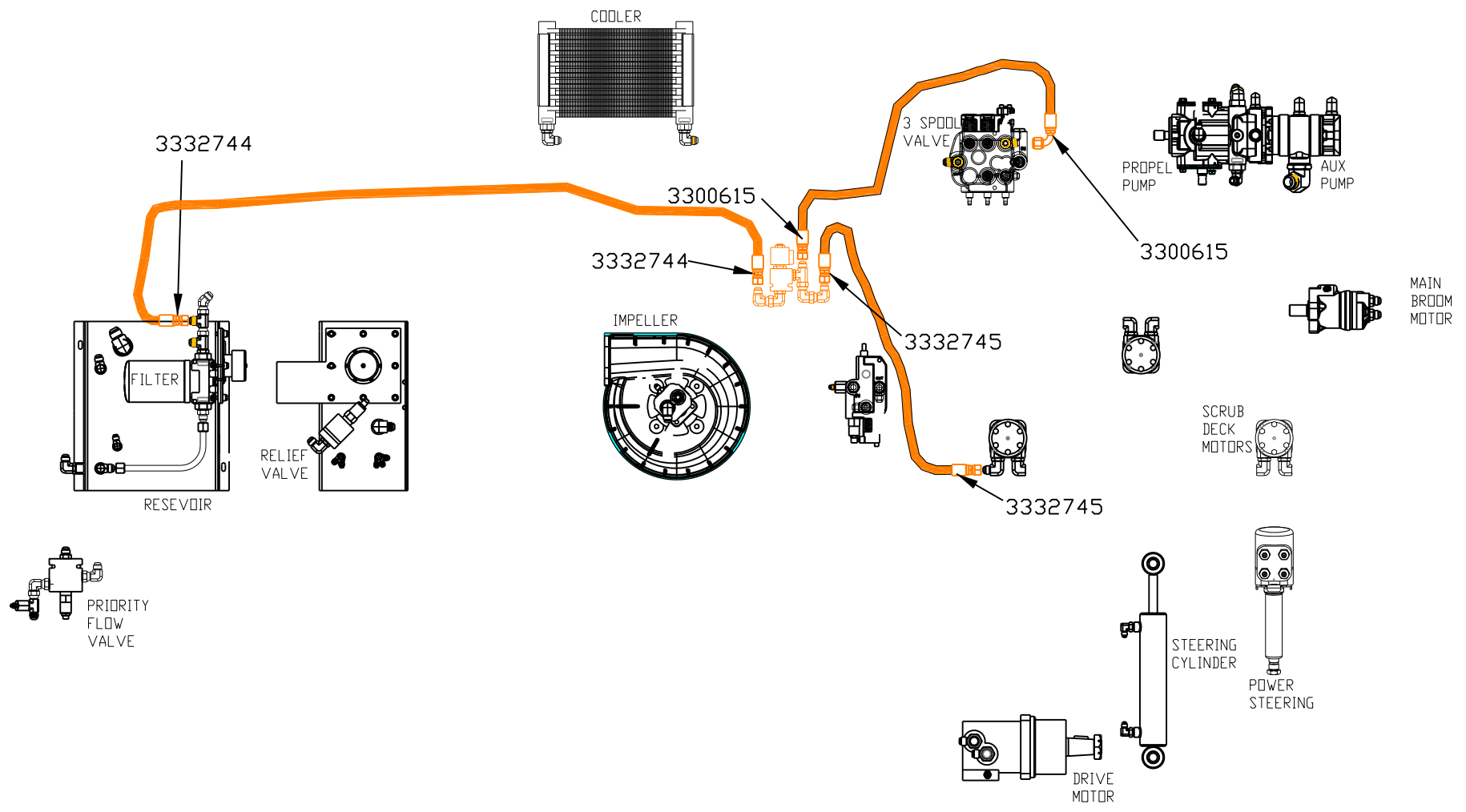
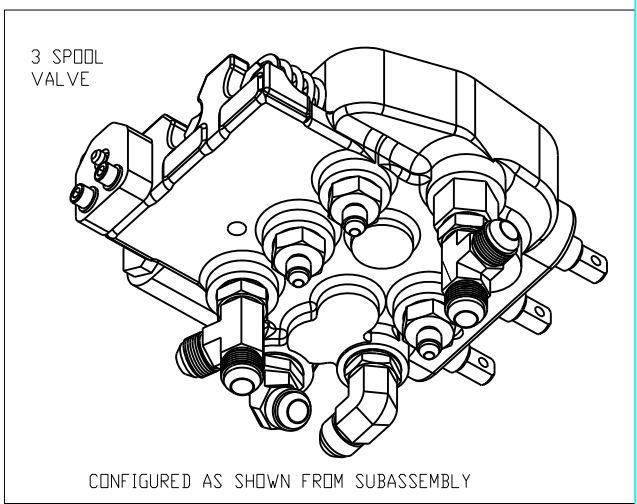
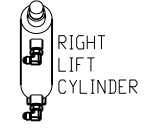
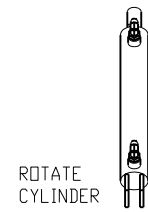
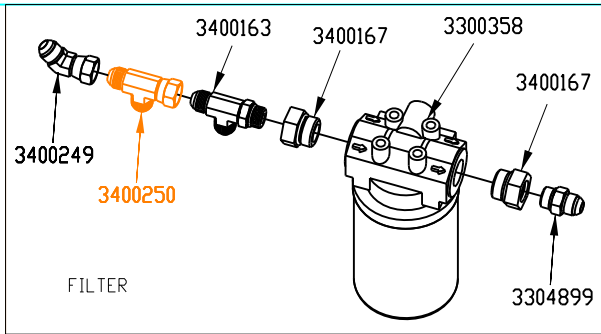
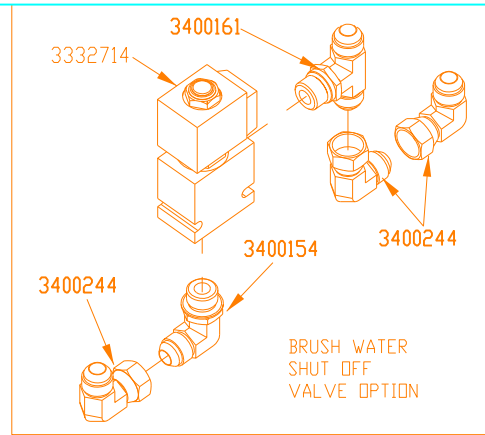
3344776



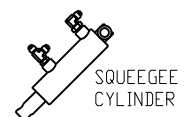
LIFT AND ROTATE FUNCTIONS

<p>CONFIDENTIAL</p> <p>THIS DRAWING AND ALL INFORMATION CONTAINED THEREIN ARE THE EXCLUSIVE PROPERTY OF MINUTEMAN INTERNATIONAL, INC. THIS DRAWING IS NOT TO BE COPIED OR OTHERWISE REPRODUCED WITHOUT EXPRESSED WRITTEN PERMISSION OF MINUTEMAN INTERNATIONAL, INC. IN ADDITION, THIS DRAWING MUST BE RETURNED UPON REQUEST. FURTHER, ALL INFORMATION CONTAINED HEREIN MUST BE MAINTAINED CONFIDENTIAL.</p>		<p>SOURCE:</p> <p>PN:</p> <p>MATL:</p> <p>FINISH:</p> <p>UNSPECIFIED TOLERANCES:</p> <p>.X .1 ANGULAR:</p> <p>.XX .03 X .1</p> <p>.XXX .010 .X .5</p> <p>DES. ENG:</p> <p>ENG. REL:</p>	<p>175 Anderson Street Aberdeen, NC 28315 PHONE (910) 944-2105 FAX (910) 944-7409</p> <p>PowerBoss The Power of Clean</p> <p>CAD JGH</p> <p>DATE: 1/25/12</p> <p>DESCRIPTION SCHEMATIC HYDRAULIC T90</p> <p>PART NO. 3344776</p> <p>REV * LEV</p> <p>SHT NO. 6 of 7</p>
<p>11559 1/25/12 RELEASED FOR PRODUCTION JGH</p> <p>REV ECN # DATE DESCRIPTION OF CHANGE-IS (WAS) BY:</p>			

3344776



OPTIONAL SIDE BROOM AND WATER BRUSH SHUT OFF



<p>CONFIDENTIAL</p> <p>THIS DRAWING AND ALL INFORMATION CONTAINED THEREIN ARE THE EXCLUSIVE PROPERTY OF MINUTEMAN INTERNATIONAL, INC. THIS DRAWING IS NOT TO BE COPIED OR OTHERWISE REPRODUCED WITHOUT EXPRESSED WRITTEN PERMISSION OF MINUTEMAN INTERNATIONAL, INC. IN ADDITION, THIS DRAWING MUST BE RETURNED UPON REQUEST. FURTHER, ALL INFORMATION CONTAINED HEREIN MUST BE MAINTAINED CONFIDENTIAL.</p>	<p>SOURCE:</p>		<p>175 Anderson Street Aberdeen, NC 28315 PHONE (910) 944-2105 FAX (910) 944-7409</p>										
	<p>PN. MATL:</p>		<p>CAD JGH BY:</p>	<p>DATE: 1/25/12</p>									
	<p>FINISH:</p>	<p>UNSPECIFIED TOLERANCES:</p> <table border="1"> <tr> <td>.X</td> <td>.1</td> <td>ANGULAR:</td> </tr> <tr> <td>.XX</td> <td>.03</td> <td>X .1°</td> </tr> <tr> <td>.XXX</td> <td>.010</td> <td>X .5°</td> </tr> </table>	.X	.1	ANGULAR:	.XX	.03	X .1°	.XXX	.010	X .5°	<p>DESCRIPTION</p>	<p>DES. ENG:</p>
	.X	.1	ANGULAR:										
.XX	.03	X .1°											
.XXX	.010	X .5°											
<p>ENG. REL:</p>	<p>ENG. REL:</p>	<p>PART NO. 3344776</p>	<p>REV LEV * 7 of 7</p>										

11559	1/25/12	RELEASED FOR PRODUCTION	JGH
REV ECN #	DATE	DESCRIPTION OF CHANGE--IS (WAS)	BY: